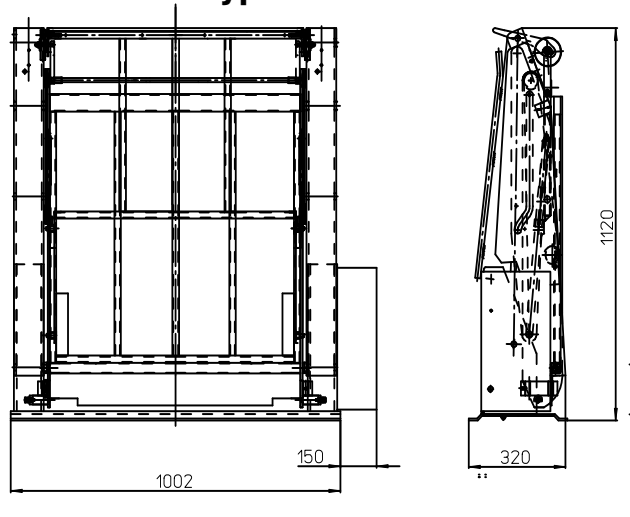
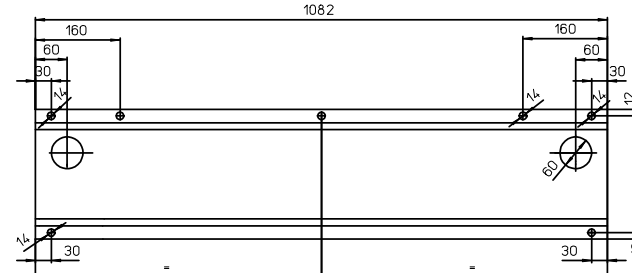
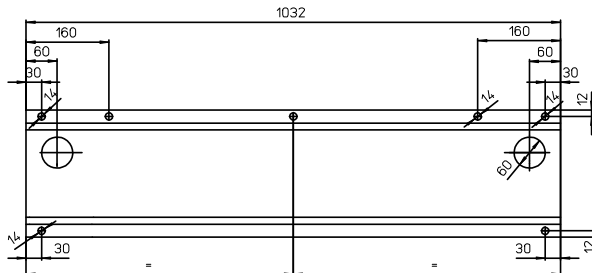
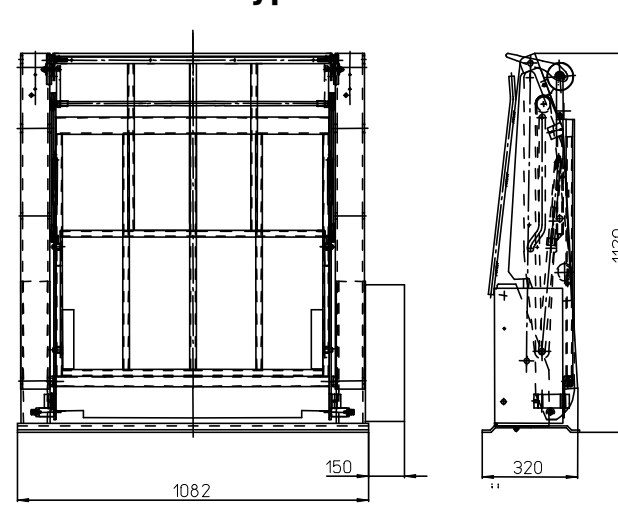


Typ 1002



Typ 1082



Nutzbare Plattformgröße

Plattformbreite 750 mm
 Plattformlänge 1380 mm

Usable platform size

Width of platform 830 mm
 Usable extended platform length 1380 mm

z.B.: Für alle Kastenwagen

Easy access telescopic platform out of steel mesh (EATP)

Options for AMF-BRUNS Linearlift:

Handrail **(R)**

Handpump **(P)**

Winkers **(W)**

Order code (shorthand expression used above)

Example:	EATP-1002-P-R	means Easy Access version,	1002 mm total width,	Handpump & Handrail
	EATP-1002	means Easy Access version,	1002 mm total width,	
	EATP-1082-P-W	means Easy access version,	1082 mm total width,	Handpump & Winkers